



TET ESTEL AS
ESTONIA

July
2013

Series
DAS 233-400

Press-Pack Symmetrical
Surge Voltage Suppressor
Type DAS 233-400

For protection of diodes and thyristors
from overvoltage.

Surge power dissipation		P_{RSM}	400 kW	
Symmetrical avalanche voltage		U_{BR}	1000 ÷ 1300 V	
U _{BR} , V	1000 ÷ 1099	1100 ÷ 1199	1200 ÷ 1299	1300 ÷ 1399
Voltage code	10	11	12	13
T _{vj} , °C	- 60 ÷ 140			

MAXIMUM ALLOWABLE RATINGS

Symbols and parameters		Units	DAS233-400	Conditions
P _{RSM}	Surge power dissipation tp = 10 μs tp = 100μs	kW	400 100	T _{vj} =25°C
U _{BR}	Symmetrical avalanche voltage	V	1000 ÷ 1300	T _{vj} =25°C ; I=25mA
T _{stg}	Storage temperature	°C	-60 ÷ 125	
T _{vj}	Junction temperature	°C	-60 ÷ 140	

CHARACTERISTICS

Symbols and parameters		Units	DAS233-400	Conditions
I _{RRM}	Repetitive peak reverse current	mA	3,0	T _{vj} =25°C U _D = U _R = 0,8 U _{BR}

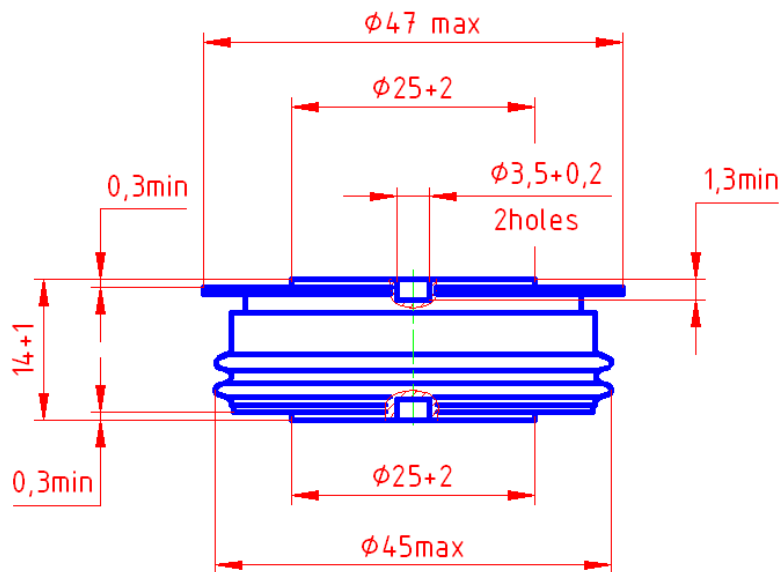
CHARACTERISTICS

Symbols and parameters		Units	DAS233-400	Conditions
	Temperature coefficient of the avalanche voltage	% / °C	0,15	
r _T	Slope resistance	Ω	1,7	T _{vj} =25°C I _R =10÷150A
	Asymmetrical avalanche voltage	%	7	T _{vj} =25°C
R _{thjc}	Thermal resistance junction to case	°C/W	0,04	

ORDERING

	DAS	233	400	12	
	1	2	3	4	

1. Symmetrical surge voltage suppressor
2. Design version
3. Surge power dissipation, kW
4. Voltage class (12 = 1200 ÷ 1299 V)



Mounting force : 8 ÷ 10 kN
Weight : 120 grams