



TET ESTEL AS
ESTONIA

November
2013

Series
T271C-320

Phase Control Stud Mounted Thyristor Type T271C-320

Center amplifying gate
Low on-state and switching losses
Designed for traction and industrial applications

Maximum mean on-state current	I_{TAV}	320 A
Maximum repetitive peak off-state and reverse voltage	U_{DRM} U_{RRM}	1000 ÷ 1800 V
Turn-off time	t_q	160; 200; 250 μs
U_{DRM}, U_{RRM}, V	1000	1100
	1200	1300
	1400	1500
	1600	1800
Voltage code	10	11
	12	13
	14	15
	16	18
$T_{vj}, ^\circ C$	- 60 ÷ 125	

MAXIMUM ALLOWABLE RATINGS

Symbols and parameters		Units	T271C-320	Conditions
I_{TAV}	Mean on-state current	A	320 465	$T_c=90^\circ C$, $T_c=70^\circ C$, 180° half-sine wave, 50 Hz
I_{TRMS}	RMS on-state current	A	502	$T_c=90^\circ C$
I_{TSM}	Surge on-state current	kA	9,0 10,0	$T_{vj}=125^\circ C$ $T_{vj}=25^\circ C$ $t_p=10\text{ ms}$ $U_R=0$
I^2t	Limiting load integral	kA^2s	405 500	$T_{vj}=125^\circ C$ $T_{vj}=25^\circ C$
U_{DRM}, U_{RRM}	Repetitive peak off-state and reverse voltage	V	1000÷1800	$T_j \min \leq T_{vj} \leq T_{jM}$ 180° half-sine wave, 50 Hz Gate open
U_{DSM}, U_{RSM}	Non-repetitive peak off-state and reverse voltage	V	1100÷1900	$T_j \min \leq T_{vj} \leq T_{jM}$ 180° half-sine wave $t_p=10\text{ ms}$, Single pulse Gate open
$(di_T/dt)_{crit}$	Critical rate of rise of on-state current : non - repetitive repetitive	$A/\mu s$	320 160	$T_{vj}=125^\circ C$; $U_D=0,67 U_{DRM}$, Gate pulse : 10V, 5 Ω , 1 μs rise time, 10 μs
U_{RGM}	Peak reverse gate voltage	V	5	$T_j \min \leq T_{vj} \leq T_{jM}$
T_{stg}	Storage temperature	$^\circ C$	-60÷80	
T_{vj}	Junction temperature	$^\circ C$	-60÷125	

CHARACTERISTICS

U_{TM}	Peak on-state voltage	V	1,6	$T_{vj}=25^\circ C$, $I_{TM}=3,14 I_{TAV}$
$U_{T(To)}$	Threshold voltage	V	1,0	$T_{vj}=125^\circ C$
R_T	On-state slope resistance	$m\Omega$	0,5	$1,57 I_{TAV} < I_T < 4,71 I_{TAV}$
I_{DRM} I_{RRM}	Repetitive peak off-state and reverse current	mA	30 30	$T_{vj}=125^\circ C$, $U_D = U_{DRM}$ $U_R = U_{RRM}$

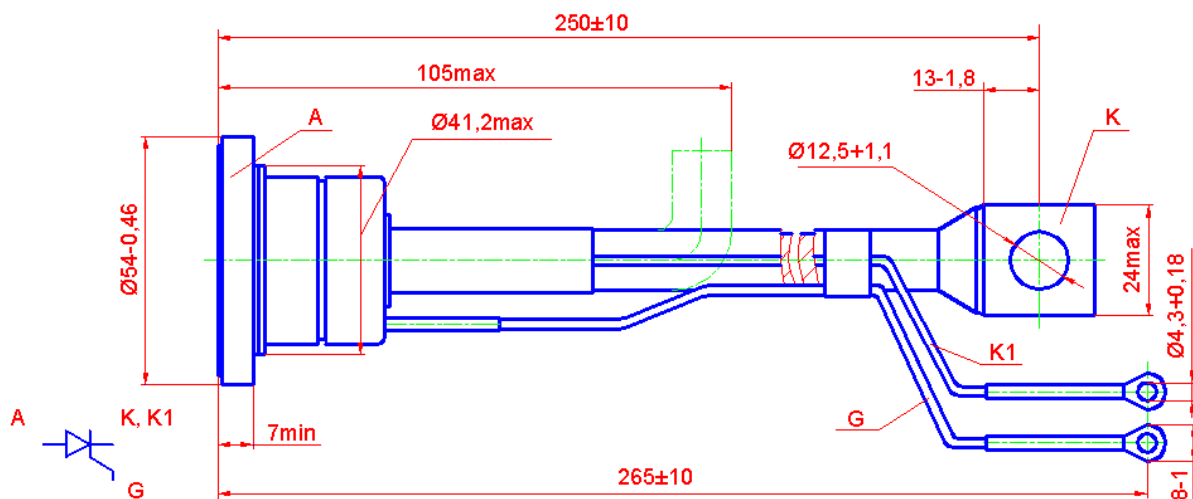
CHARACTERISTICS

Symbols and parameters		Units	T271C-320	Conditions
I_L	Latching current	A	0,7	$T_{vj}=25^{\circ}\text{C}, U_D=12\text{V}$ Gate pulse : 10V, 5 Ω , 1 μs rise time, 10 μs
I_H	Holding current	A	0,5	$T_{vj}=25^{\circ}\text{C}, U_D=12\text{V}$, Gate open
U_{GT}	Gate trigger direct voltage	V	2,5 5,0	$T_{vj}=25^{\circ}\text{C}$, $T_{vj}=-60^{\circ}\text{C}$ $U_D=12\text{V}$
I_{GT}	Gate trigger direct current	A	0,3 0,85	$T_{vj}=25^{\circ}\text{C}$, $T_{vj}=-60^{\circ}\text{C}$
U_{GD}	Gate non-trigger direct voltage	V	0,25	$T_{vj}=125^{\circ}\text{C}$, $U_D = 0,67 U_{DRM}$
I_{GD}	Gate non-trigger direct current	mA	10	Direct gate current
tgd	Delay time	μs	1,6	$T_{vj}=25^{\circ}\text{C}, U_D=500\text{V}$ $I_{TM} = 320 \text{ A}$
tgt	Turn-on time	μs	3,2	Gate pulse : 10V, 5 Ω , 1 μs rise time, 10 μs
tq	Turn-off time	μs	160÷250	$T_{vj}=125^{\circ}\text{C}$, $I_{TM}=320 \text{ A}$ $di_R/dt = 10 \text{ A}/\mu\text{s}$, $U_R=100\text{V}$ $U_D = 0,67 U_{DRM}$ $du_D/dt=50 \text{ V}/\mu\text{s}$
Qrr	Recovered charge	μC	1200	$T_{vj}=125^{\circ}\text{C}$, $I_{TM}=320 \text{ A}$ $di_R/dt = 10 \text{ A}/\mu\text{s}$, $U_R=100\text{V}$
trr	Reverse recovery time	μs	24	
Irrm	Peak reverse recovery current	A	100	
(du_D/dt)crit	Critical rate of rise of off-state voltage	V/ μs	500 1000	$T_{vj}=125^{\circ}\text{C}$, $U_D = 0,67 U_{DRM}$ Gate open
Rthjc	Thermal resistance junction to case	$^{\circ}\text{C}/\text{W}$	0,075	Direct current

ORDERING

	T	271	C	320	12	7	2		
	1	2	3	4	5	6	7		

- Phase control thyristor .
- Design version.
- Flat-base (anode).
- Mean on-state current, A.
- Voltage code (12 =1200 V).
- Critical rate of rise of off-state voltage ($6 \geq 500 \text{ V}/\mu\text{s}$, $7 \geq 1000 \text{ V}/\mu\text{s}$).
- Group of turn-off time ($du_D/dt=50 \text{ V}/\mu\text{s}$, $2 \leq 250 \mu\text{s}$, $P2 \leq 200 \mu\text{s}$, $3 \leq 160 \mu\text{s}$).



Mounting force : 5 ÷ 7 kN

Weight : 500 grams